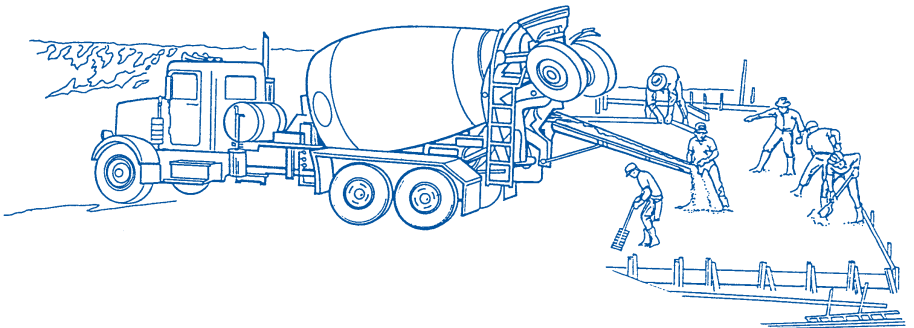




ISSUE 1 NOVEMBER 2011
PUBLISHED YEARLY

**San Diego International
Chapter, Inc.
American Concrete Institute**

**2011-2012
MEMBERSHIP ROSTER**



CONTRIBUTORS

(BUSINESS CARDS INSIDE BACK COVER)

For links to contributors websites please visit aci-sandiego.org

ASSOCIATED READY MIXED CONCRETE INC.

BASF THE CHEMICAL COMPANY

THE BLUE BOOK OF BUILDING & CONSTRUCTION

CALIFORNIA PORTLAND CEMENT

CHRISTIAN WHEELER ENGINEER

THE EUCLID CHEMICAL COMPANY

GSI GEOTECHNICAL STABILIZATION, INC.

MORLEY CONSTRUCTION COMPANY

PACIFIC SOUTHWEST STRUCTURES

SIKA

STEGO INDUSTRIES

STRUCTURAL TECHNOLOGY CONSULTANTS

AMERICAN CONCRETE INSTITUTE
SOUTHERN CALIFORNIA CHAPTER

Roster of Members
2011

<u>CONTENTS</u>	<u>PAGE</u>
2011-2012 Officers and Board of Trustees	ii
Committees	iii
Past Presidents and General Information	iv
Concrete Field Technician Grade I Information	v
Flatwork Finisher Information	vi
Membership Listing	1-34
Business Listing	35-41

“Progress Through Knowledge”

2011-2012 OFFICERS AND BOARD OF TRUSTEES

President	MIKE ARCHIBALD Morley San Diego Construction Company	FAX	619/299-2211 299-9740
Vice President	CHARLIE CARTER, JR. Christian Wheeler Engineering	FAX	619/550-1700 550-1701
Secretary/Treasurer	CHRIS KLEMASKE T.B. Penick & Sons	FAX	858/558-1800 558-1881
Past President	CHARLIE GREGG Hanson Aggregates	FAX	858/736-7262
Trustee (2010-2013)	BRIAN ADAMS Grace	FAX	916/717-7381
Trustee (2011-2014)	PAUL BROUWER Superior Ready Mix	FAX	760/497-7000
Trustee (2010-2013)	JEFF FERRIS Propex Concrete Systems	FAX	800/259-0901 951/699-9776
Trustee (2009-2012)	PHIL HARRIS Hanson Aggregates	FAX	858/715-5617 715-5601
Trustee (2011-2014)	PANCHO KONEVAL The Euclid Chemical	FAX	800/321-7628
Trustee (2009-2012)	QUINN McGUIRE The Euclid Chemical	FAX	760/994-9445 295-1560
Trustee (2011-2014)	DAVE MILES Sundt Construction	FAX	619/321-4810 321-4910
Trustee (2011-2014)	GINA ROLLINS United Rentals	FAX	760/644-9064
Trustee (2011-2014)	CHUCK SANDERS Port of San Diego	FAX	619/725-6059
Trustee (2009-2012)	JIM TKACH Morley San Diego Construction Company	FAX	619/299-2211 299-9740
Trustee (2011-2014)	BOB VILDBILL Professional Services Group	FAX	619/922-8003 749-8143

ACI SAN DIEGO CHAPTER

Contact: Heather Caya

P.O. Box 713110 Santee, CA 92072

Phone: 619.579.1940

Fax: 619.258.5839

Email: concreteaci@cox.net

Web Site: aci-sandiego.org

COMMITTEE

Awards / Awards Event	Paul Brouwer	858.530.9456
	Jeff Ferris	800.259.0901
Golf Tournament	Quinn McGuire	760.994.9445
	Frank Gerberding	619.825.6841
	Brian Adams	916.717.7381
	Bob Vildibill	619.922.8003
	Charlie Carter	619.550.1700
	Phil Harris	858.715.5617
	Pancho Koneval	440.343.4703
	Steve Karius	619.550.1700
	Jim Tkach	619.299.2211
Membership	Dave Miles	619.321.4810
	Bob Vildibill	619.922.8003
	Pancho Koneval	440.343.4703
	Quinn McGuire	760.994.9445
Newsletter	Heather Caya	619.579.1940
Nominations	Charlie Gregg	858.736.7262
Programs	Charlie Carter	619.550.1700
	Phil Harris	858.715.5617
	Charlie Gregg	858.736.7262
Scholarships	Jim Tkach	619.299.2211
	Brian Adams	916.717.7381
Public Relations	Chris Klemaske	858.558.1800
	Gina Rollins	760.644.9064
National Seminar	Paul Brouwer	858.530.9456
	Charlie Gregg	858.736.7262
	Chris Klemaske	858.558.1800
Technical Certification Program	Stephen Campbell	619.550.1700
Technical Certification Reservations	Heather Caya	619.579.1940
Website	Heather Caya	619.579.1940

PAST PRESIDENT

1966	Robert W. Floyd	1989	Donald R. Libby
1967	Robert W. Floyd	1990	Robert I. Imler
1968	Stanley J. French	1991	Robert I. Imler
1969	* Mike Kupfer	1992	Stephen Campbell
1970	William r. McCullagh	1993	Phil Weiss
1971	James D. Bement	1994	Jeffrey A. Ferris
1972	James R. Libby	1995	Michael Serra
1973	Richard E. Miller, Jr.	1996	Jim Trammell
1974	* Gerald A. Wilke	1997	David J. Akers
1975	Philip K. Markham	1998	James E. Cloud
1976	Alex Swanson	1999	Gene Prince
1977	James R. Libby	2000	Galen Thurner
1978	Eugene J. Grady	2001	John Bryant
1979	Dale H. Curtis	2002	Byron Klemaske, II
1980	Leonard Woodruff	2003	Steven Karius
1981	Carl Teyssier	2004	Steven Venolia
1982	David J. Akers	2005	Bob Ashby
1983	William L. Cochrane	2006	Quinn McGuire
1984	Ronald Kubicek	2007	Ed Trasoras
1985	Alfred F. Maguire	2008	Robert Piceno
1986	William J. DeBerry	2009	Victor Klemaske
1987	W. T. Northcutt	2010	Charlie Gregg
1988	Robert W. Floyd		

ACI SAN DIEGO CHAPTER LIBRARY

MACTEC
9177 Sky Park Court
San Diego, CA 92123

ACI INTERNATIONAL

P.O. Box 9094
Farmington Hills, MI 48333
248.848.3700

Certification of
CONCRETE FIELD TECHNICIAN
GRADE I

The Concrete Field Technician Grade I exam is a nationally recognized test for all members of the Concrete Construction Community. Successful completion of both a written and performance examination entitles the applicant to certification by the American Concrete Institute as a Concrete Field Technician, Grade I. The San Diego International Chapter Sponsoring Group provides, for those pre-registered applicants, a three session training course. The course reviews concrete basics, test techniques, and provides the applicant with hands on training. Members of the San Diego International Chapter of the American Concrete Institute teach the course. Facilities for this course are donated.

The three sessions will meet prior to test on:

Wednesday	6:00 PM to 10:00 PM
Saturday	6:00 AM to 1:00 PM
Wednesday	6:00 PM to 10:00 PM

Test Day will be on: Saturday 6:00 AM to 1:00 PM

Test times are pre-scheduled and late applicants may not be admitted.

The cost is \$375.00 for non San Diego International Chapter of American Concrete Institute members and \$350.00 for current members. The cost includes only the test materials. Registered applicants that attend the three session training course will receive a course study book, and a one-year membership to the San Diego International Chapter of American Concrete Institute.

Please check our website for schedules. Aci-sandiego.org

ACI CERTIFICATION

FLATWORK TECHNICIAN & FLATWORK FINISHER

REVIEW CLASS & EXAM

Certification as an ACI certified Flatwork Finisher or Flatwork Finishing Technician is a professional designation gaining recognition throughout the United States. The program is useful for experienced and apprentice concrete finishers to sharpen and round out their knowledge of concrete finishing. The class session is followed by a written examination.

Applicants having a minimum of 4,500 hours of concrete finishing experience (2+ years), who pass the test will be Certified Concrete Flatwork Finishers. Applicants who pass the test, but do not have the required work experience, will be Certified Concrete Flatwork Technicians.

Please be aware, owners, designers and project specifications are beginning to require this certification for concrete professionals working on their projects. This is a growing trend that we expect will increase in the future.

THIS REVIEW SESSION SIZE IS LIMITED TO THE FIRST 16 PAID APPLICANTS

The three sessions will meet prior to test on:

Tuesday & Thursday 5:00 pm – 9:30 pm	Class Review
Friday 5:30pm – 8:00pm	Pretest
Saturday 9:00 am – 11:00 am	Written Examination

Please visit our website for schedules. Aci-sandiego.org

AMERICAN CONCRETE INSTITUTE

SOUTHERN CALIFORNIA CHAPTER

Roster

of

Membership

Abayan, Samuel

Email: srabayan@gmail.com

Abbott, Jim

Harris Associates Wk

Email: jabbott@harris-assoc.com

Acero, Ramon Tech

Testing Engineers

Email: ramon.acero@vertical-v.com

Acosta, Steve

Email: steve_acosta@verizon.net

Adams, Brian

BASF Construction Chemicals

611 K Street, #332, San Diego, CA 92101

Email: brian.adams@basf.com

Adkins, Clint

Southern California Soil & Testing

Email: cadkins@scst.com

Aguilar, Rory

Email: seabeeaggie@hotmail.com

Aguilar, Salvador

Email: saguilar2010@att.net

Akers, David J Senior Engineer

CNCA California Nevada Cement Association

5841 Amaro Drive, San Diego, CA 92124

Email: concrete.aztec@gmail.com

Fx (858) 541-0180

Al-Bazzaz, Safaa

Email: safaalbazzaz@yahoo.com

Allen, James

Kleinfelder

Email: specialinspector@yahoo.com

Allen, Michael

Email: mikejallen24@yahoo.com

Alvarez, Don

Email: don2001@cox.net

Alwaque, Harvey

MACTEC

Email: halwaque@mactec.com

Amundson, James A Structural Engineer
Hope Engineering Wk (619) 232-4673
1301 3rd Avenue, Ste 300, San Diego, CA 92101
Email: jamundson@hopeengineering.co

Fx (619) 235-4675

Anderson, Michael Inspector
Email: mic-@cox.net

Anderson, Shelly P
DYK
351 Cypress Lane, El Cajon, CA 92020
Email: shelly.anderson@dyk.com

Wk (619) 440-8181
Fx (619) 440-8653

Arce, Steve D
Southern California Soil & Testing
6280 Riverdale Street, San Diego, CA
Email: sarce@scst.com

Wk (619) 280-4321

Archibald, Mike
Morley Construction
2251 San Diego Ave, B251, San Diego, CA 92110
Email: marchibald@morleybuilders.com

Wk (619) 299-2211
Fx (619) 299-9740

Arredondo, Justin
Email: arredondojustin@aol.com

Ashby, Bob Sales Rep
Grace
Email: bob.ashby@grace.com

Babcock, David
Email: dbabcock@pirnie.com

Baez, Guillermo
Nova
Email: baezm9194@cox.net

Bahno, John, Jr.
Southern California Soil & Testing
6280 Riverdale Street, San Diego, CA
Email: johnmpb@aol.com

Wk (619) 280-4321

Baker, Bill

Email: wrbconstruction@cox.net

Baker, James

Email: jbaker616@roadrunner.com

Baker, Jeff

Email: jeffbaker151@gmail.com

Balinger, Kevin

Southern California Soil & Testing
6280 Riverdale Street, San Diego, CA

Wk (619) 280-4321

Email: mrbaseball@cox.net

Barnes, Michael

Email: msbarnes@ucsd.edu

Barron, Jason

Email: jasonbarron1@cox.net

Barron, Juanita

Email: thywillnotme@gmail.com

Barron, Raymond

Email: rbarron7@yahoo.com

Barron, Robert

Email: barronempire@aol.com

Battaglia, Dino

MTGL

Email: dnobattz@yahoo.com

Bautista, Octavio

TSI

Bechtel, Craig Owner

Bechtel Inspection Services

Email: craigbechtel@gmail.com

Bennett, David

Hunt Companies

Email: davegoodie@gmail.com

Beron, Stephen

Email: awdturbotalon@cox.net

Bietz, Jeremiah Inspector
Email: specialinspections@gmail.com

Blakley, Chi
Email: vistablakleys@gmail.com

Boff, Patrick
Email: astragal01@yahoo.com

Booker, Jamie Soil & Concrete Technician
Christian Wheeler Engineering Wk (619) 550-1700
3980 Home Ave, San Diego, CA 92105
Email: jamiobooker00@yahoo.com

Boren, Neil Field Tech
West Coast Geotechnical
Email: usborens@cox.net

Bortolin, Adriano Senior Sales Engineer
Sika Wk (760) 632-1637
3010 Azahar Street, Carlsbad, CA 92009 Fx (760) 632-9149
Email: bortolin.adriano@sika-corp.com

Bovee, Matt Inspector
Quality Control Southwest
Email: mrbovee@gmail.com

Bowen, Steve

Boyd, Ron
Boyd Fasteners Wk (858) 792-0050
P.O. Box 2070, Del Mar, CA 92014 Fx (858) 755-9242

Boyd, Tim
Pacific Southwest Structures
8140 Commercial Street, LA Mesa, CA 91942
Email: tboyd@pswsi.com

Brankovic, Alex Area Sales Manager
Mitsubishi Cement Corp Wk (562) 495-2320
1150 Pier F Ave, Long Beach, CA 90802
Email: abrankovic@mitsubishicement.com

Brasel, Ron
MACTEC
Email: rlbrasel@mactec.com

Bray, Robert

Morley Construction
2251 San Diego Ave, B251, San Diego, CA 92110
Email: rbray@morleybuilders.com

Wk (619) 299-2211
Fx (619) 299-9740

Brickley, Kevin Inspector

City of Escondido
Email: betsykevinbrickley@cox.net

Brickley, Kurt

Port of San Diego
Email: kbrickley@portofsandiego.org

Briggs, Ben Senior Project Manager

Roel Construction
3366 Kurtz Street, San Diego, CA 92110
Email: benb@roel.com

Wk (619) 297-4156
Fx (619) 297-5208

Brooks, Kathleen

Brouwer, Chris

Superior Ready Mix
1508 W. Mission Road, Escondido, CA 92029
Email: cbrouwer@superiorm.com

Wk (760) 745-0556
Fx (760) 740-9557

Brouwer, Paul

Superior Ready Mix
1508 W. Mission Road, Escondido, CA 92029
Email: pbrouwer@superiorm.com

Brummel, Chad

Deputy One Inspection
Email: chadb22@verizon.net

Bucher, Roy

MACTEC
Email: roybucher@gmail.com

Burk, Jim

Sunstate Equipment
5590 Eastgate Mall, San Diego, CA 92121
Email: jburk@sunstateequip.com

Burke, Shane

Us-Concrete
2735 Cactus Road, San Diego, CA 92154
Email: sburke@us-concrete.com

Wk (619) 240-8000
Fx (619) 661-1038

Bush, Scott

Morley Construction Company
2251 San Diego Avenue, Ste B251, San Diego, CA 92110
Email: sbush@morleybuilders.com

Wk (619) 299-2211
Fx (619) 299-9740

Campbell, Steve W Lab Supervisor
Christian Wheeler Engineering
3980 Home Avenue, San Diego, CA 92105
Email: scampbell@christianwheeler.com

Wk (619) 550-1718
Fx (619) 550-1701

Carag, Paulo Concrete Tech
MTGL
6295 Ferris Square, Ste C, San Diego, CA 92121
Email: plcarag@yahoo.com

Wk (760) 277-5716

Carlson, Larry
Vulcan Materials
P.O. Box 3098, San Diego, CA 92163
Email: carlsonl@vmcmail.com

Wk (858) 547-5907

Carr, John
Email: jarrcohn93@yahoo.com

Carter, Charlie Engineer
Christian Wheeler Engineering
3980 Home Avenue, San Diego, CA 92105
Email: ccarter@christianwheeler.com

Wk (619) 550-1700

Castanon, Raquel Project Management
T.B. Penick & Sons Wk
15435 Innovation Drive ,Ste 100, San Diego, CA 92128
Email: raquelc@tbpenick.com

Caya, Heather President
Caya Consulting Services & ACI San Diego
Email: concreteaci@cox.net

Wk (619) 579-1940

Cecena, Raymundo
Vertical V Testing & Engineering Inspection
Email: raycecna@live.com

Cerezo, Raimundo

City Of San Diego

Email: raycerezo@yahoo.com

Chapman, Clint

TXI

3500 Porsche Way, Ste 150, Ontario, CA 91764

Email: cchapman@txi.com

Chin, Nacho

Email: nach_72@yahoo.com

Choufani, John

Email: jchoufani@rqconstruction.com

Cisewski, Jody

Email: jody@allsortsconcrete.com

Cisneros, Felipe

Clarke, David

Team C construction

1272 Greenfield Drive, El Cajon, CA 92021

Email: david@teamcconstruction.com

Wk (619) 579-6572

Fx (619) 579-6592

Clarke, Glenn

Team C construction

1272 Greenfield Drive, El Cajon, CA 92021

Wk (619) 579-6572

Fx (619) 579-6592

Clayton, Rene

Email: rene.clayton@hanson.biz

Cleveland, Edward

Reinforced Concrete Inspector

BTC Labs

Email: vaporskc@gmail.com

Collett, Tim

Technician

Christian Wheeler Engineering

3980 Home Ave, San Diego, CA 92105

Email: timcollett92@yahoo.com

Wk (760) 720-2324

Collins, Liz

MACTEC

9177 Sky Park Court, San Diego, CA 92123

Email: lcollins@mactec.com

Wk (858) 514-6494

Contasti, Tom Special Inspection
Southern California Soil & Testing
6280 Riverdale Street, San Diego, CA
Email: tcontasti@sbcglobal.net

Wk (619) 280-4321

Core, Mike
Largo Concrete
Email: mcore@largoconcrete.com

Wk (760) 580-4372

Cotham, Sherman
Port Of San Diego
Email: scotham@portofsandiego.org

Crawford, Sam
Email: samuelcrawford@hotmail.com

Curran, Casey
Email: csacurran@gmail.com

Curran, Pete
Email: curranpete7@gmail.com

Cushing, Colby
Simon Wong Engineering
9968 Hibert Street, Second Floor, San Diego, CA 92131
Email: ccushing@simonwongeng.com

Wk (858) 566-3113
Fx (858) 566-6844

Dehoop, Dirk
CTE
Email: dirkdehoop@yahoo.com

Deppe, Jim
Email: selcojd@aol.com

Devries, Jay Sr Sales Representative
TXI
3500 Porsche Way, Ste 150, Ontario, CA 91764
Email: jdevries@txi.com

Dickerson, Anthony
Email: dickie92001@yahoo.com

Inspector

Doffing, Ryan J
Integrity Concrete
540 Opper Street, Escondido, CA 92029
Email: ryand@integrity-concrete.com

Wk (760) 233-0044
Fx (760) 233-0043

Dominek, Jonah

Email: jonah@westcoastinspectionsservices.com

Donovan, David

Email: l.d_4everjesus@yahoo.com

Draper, Spencer

Sundt

1660 Hotel Circle North, Ste 400, San Diego, CA 92108

Email: sbdraper@sundt.com

Drees, Randy

Email: rdrees@san.rr.com

Dudek, Randy

Email: rbear1_3@msn.com

DuTemple, Terry Special Inspector

Vinje & Middleton Eng

2450 Auto Park Way, Escondido, CA

Email: tdutemple@cox.net

Dyer, Glenn

Email: gpdfa2000@yahoo.com

Dykes, Paul

Email: michael.paul.dykes@gmail.com

Eckert, Stephen DSA PI

CIS

Email: seckert@aboutcis.com

Edwards, Jeff

Email: hondared@rock.com

Eldridge, Ron

Sundt

1660 Hotel Circle North, Ste 400, San Diego, CA 92108

Wk (619) 321-4800

Engler, David

Email: daaron2234@aol.com

Enriquez Jr., Alfredo

Email: pro_concrete2@yahoo.com

Eskola, Dan

Email: deskola@cox.net

Estes, Thomas Special Inspector
Group Delta Consultants
Email: thomase@groupdelta.com

Estudillo, Marco
Vulcan
Email: estudillom@vmcmail.com

Eyer, Matthew
Superior Ready Mix
1508 W. Mission Road, Escondido, CA 92029 Fx (619) 443-2066
Email: meyer@superiorrm.com

Felker, Larin
Life Deck Wk (619) 262-8600
770 Gateway Center Drive, San Diego, CA 92102 Fx (619) 262-8606
Email: larin@lifedeck.com

Ferreir, Mateo
Dimensions Construction
Email: mateo@dimensionsconstruction.com

Ferris, Jeff
Propex Concrete Systems Wk (800) 259-0901
40335 Winchester Rd, Ste E, PMB 111, Temecula, CA 92591 Fx (951) 699-9776
Email: jeff.ferris@propexus.com

Fitzgerald, Dan
Pacific Southwest Structures, Inc. Wk (619) 469-2323
8140 Commercial Street, La Mesa, CA 91942
Email: danfitz@pswsi.com

Fleming, Sean
Morley Construction Company
2251 San Diego Ave, B251, San Diego, CA

Flores, Stephen Special Inspector
Email: spflores@cox.net

Fonseca, Brandon Employee Owner
Sundt Wk (619) 321-4800
1660 Hotel Circle North, Ste 400, San Diego, CA 92108 Fx (619) 321-4966
Email: pbfonseca@sundt.com

Fountain, Garrett
Email: gfontain@scst.com

Frazer, Bob

Kleinfelder
5015 Shoreham Place, San Diego, CA 92122
Email: bfrazer@kleinfelder.com

Wk (619) 254-7127

Garcia, Alejandro

Email: alero828@hotmail.com

Gargas, Larry

Email: lgargas5@aol.com

Gayler, Jeff

Gee, Duane

Structural Technology Consultants
11470 Madera Rosa Way, San Diego, CA 92124
Email: duane@stcsd.com

Wk (858) 278-2400

George, Paul

SC Regional Manager

Stego Industries LLC
216 Avenida Fabricante, Ste 101, San Clemente, CA 92672
Email: paulgeorge@stegoindustries.com

Wk (949) 257-4100

Gerberding, Frank

Apex Advertising
7290 Navajo Road, Ste 205, San Diego, CA 92119
Email: frankg@apexadv.com

Geriminsky, Michael Inspection

Southern California Soil & Testing
6280 Riverdale Street, San Diego, CA
Email: mdgeriminsky@aol.com

Wk (619) 280-4321

Gibbs, Kerrie

Email: madinn@sbcglobal.net

Giese, Paul

Architect Chief Project Manager

Hamann Companies
1000 Pioneer Way, El Cajon, CA 92020
Email: paul@hamannco.com

Wk (619) 440-7424

Fx (619) 440-8914

Gilbart, Don

TXI Riverside Cement
3500 Porsche Way #150, Ontario, CA 91764
Email: dgilbart@txi.com

Wk (714) 746-0448

Fx (909) 635-1897

Goldman, Scott

Southern California Soil & Testing
6280 Riverdale Street, San Diego, CA
Email: sgoldman@scst.com

Wk (619) 280-4321

Gonzales, Henry

Rocky Coast Framers
135 S. Market Place, Escondido, CA 92029
Email: hgonzales@rockycoastframers.com

Gonzalez, Orlando Technician

Nova Engineering
Email: orlando93021@yahoo.com

Gottlieb, Jacob

Email: jacob.a.gottlieb@gmail.com

Green, Jerry

Prestige Concrete
13525 Midland Road, Ste H, Poway, CA 92064
Email: jgreen@prestigeconcrete.com

Wk (858) 679-2772

Fx (858) 679-8499

Green, Steve Field Technician

Construction Testing & Engineering, Inc.
1441 Montiel Road, Ste 115, Escondido, CA 92026
Email: sgreen@cte-inc.com

Gregg, Charlie

Hanson
P.O. Box 639069, San Diego, CA 92163
Email: charlie.gregg@hanson.biz

Wk (858) 715-5615

Fx (858) 715-5601

Greiner III, Guino

MTGL
Email: guidog34@cox.net

Grenda, Paul

Email: 4gsracing@cox.net

Groves, Nic

Email: ndwgroves@gmail.com

Guenther, Earl “Jack”

Vulcan Materials
P.O. Box 3098, San Diego, CA 92163
Email: GuentherJ@VMCMAIL.com

Guertin, Lisa

MACTEC

Email: lrguertin@mactec.com

Gutierrez, Erick

Email: erickito1k@yahoo.com

Halverson, Shawn VP/CEO

Surfacing Solutions

42095 Zevo Drive, Ste A-13, Temecula, CA 92590

Email: shawn4ssi@verizon.net

Wk (951) 699-0035

Harper, Gary

Email: glh@cox.net

Harris, Gary Technician

Group Delta

Email: garyh@groupdelta.com

Harris, Glenn Senior Inspector

Nova Engineering

4373 Viewridge Ave, Ste B, San Diego, CA 92123

Email: gharris10R@yahoo.com

Wk (760) 497-1847

Harris, Phil

Hanson

P.O. Box 639069, Santee, CA 92163

Email: phil.harris@hanson.com

Wk (858) 715-5617

Fx (858) 715-5601

Heis, Paul

BASF

Email: paul.heis@basf.com

Wk (951) 317-1619

Fx (909) 606-2231

Herman, Patrick Inspector

IEC

Email: pberman@iecorporation.com, patherman64@gmail.com

Hernandez, Josh Sales

Fitzgerald Formliners

1500 East Chestnut Ave, Santa Ana, CA 92701

Email: jhernandez@formliners.com

Wk (714) 547-6710

Fx (714) 245-9715

Hick, Steve

Email: steven.hicks@gmail.com

Hill, Jim

Hycrete

Wk (760) 450-7091

Email: jhill@hycrete.com

Hirt, Gary

MACTEC

Wk (858) 278-3600

9177 Sky Park Court, San Diego, CA 92123

Email: ghirt@mactec.com

Holley, Bill

Email: bill.holley@cox.net

Howard, Crystal

Environment

Wk (619) 284-8515

3511 Camino Del Rio South, Ste 403, San Diego, CA 92108

Email: crystal@enviromineinc.com

Howe, Edwin S

Email: tjhowel@cox.net

Huff, Dan

Building Inspector

UCSD

Email: dhuff@ucsd.edu

Hunter, Craig

Email: metiche4u@verizon.net

Inlow, John

QC Manager

Coffman Specialties

9685 Via Excelencia, San Diego, CA 92126

Email: jinlow@coffmanspecialties.com

Jasper, Dustin

Special Inspector

Nova Engineering & Environmental LLC

Wk (858) 292-7575

4373 Viewridge Ave, Ste B, San Diego, CA 92123

Email: djasper@usanova.com

Jenkins, Burt

Email: builtofast71@sbcglobal.net

Jens, Jacobus

Jesse, Kirk

Email: kirkjesse80@yahoo.com

Jiminez, Michael

Email: azrell88@yahoo.com

Johnson, Nathan

Email: cwi.nathan@gmail.com

Johnson, Sonny

The Euclid Chemical Company

Email: sjohnson@euclidchemical.com

Johnson, Tana

Email: tljohnson27@hotmail.com

Jones, Brian

Thunder Jones Contracting Group

2515 Pioneer Avenue, Ste 1, Vista, CA 92081

Email: bjjones@thunderjones.com

Jurado, David

Email: djurado@ucsd.edu

Karius, Steve

Marketing Manager

Christian Wheeler Engineering

3980 Home Avenue, San Diego, CA 92105

Email: skarius@christianwheeler.com

Wk (619) 550-1777

Fx (619) 550-1701

Katzman, Aaron

Email: aaronjk@aol.com

Kell, Earl

Email: getteobservations@gmail.com

Kelly, Paul

Field Inspector

Email: mrpauljkelly@hotmail.com

Kim, Leonard

UCSD

Email: leonard.y.kim@gmail.com

Kinder, Daryl

Email: dqk1963@yahoo.com

King, Bruce

Email: brucewking@cox.net

Kriskovic, Roky

The Euclid Chemical Company
Email: rkriskovic@euclidchemical.com

Kuykendall, Joe

Scholefield Construction Attorneys
501 West Vroadway, #1700, San Diego, CA 92101
Email: joe@construction-laws.com

La Fata, Sam

Senior Sales Representative

Standard Concrete Products Wk (714) 245-1550
2002 E. Mcfadden Avenue, Ste 150, Santa Ana, CA 92705 Fx (714) 245-2970
Email: slafata@leighcement.com

Lamberty, Todd

Webcor Wk (650) 235-5894
5465 Morehouse Drive, Ste 150, San Diego, CA 92121
Email: tlamberty@webcor.com

Larsen, Keiri

Email: keirilarsen@gmail.com

Larsen, Mark

Morley Construction Company
2251 San Diego Ave, B251, San Diego, CA 92110
Email: mlarsen@morleybuilders.com

Larson, Scott

Email: scottlarson3@cox.net

Lattimore, Matt

Technician

CTE
Email: mattsabrinanalyssa@cox.net

Laurenzano, Mike

Email: mike_laurenzano@yahoo.com

Lentulo, George

Lentulo Contractors
Email: g.lentulo@cox.net

Leonard, John

Email: z1602@yahoo.com

Leonard, William

Email: ennis555@gmail.com

Levinson, Charles

Email: charlietuna10@hotmail.com

Levitan, Russell Senior Estimator

AV Builder Corp
6373 Nancy Ridge Drive, San Diego, CA 92121
Email: avbuilds@avbuilder.com

Wk (858) 622-9200
Fx (858) 713-0033

Lewis, Randy Sr. Inspector

Simon Wong
Email: rlewis@simonwongeng.com

Liang, Cristian

Nova Engineering
Email: cliang@usanova.com

Libby, Donald R

Martin & Libby
4452 Glacier Avenue, San Diego, CA 92120
Email: dlibby@martinandlibby.com

Wk (619) 280-9307
Fx (619) 284-3533

Littleton, Geoff

Email: geofflittleton@gmail.com

Lohse, Norbert Senior Forensic Consultant / Associate

Allana+Buick+Bers
1270 Morena Boulevard, San Diego, CA 92110
Email: nlohse@abbae.com

Wk (619) 276-7100
Fx (619) 276-7200

Loomis, Roger

Morley Construction
2251 San Diego Avenue, Ste B251, San Diego, CA 92110
Email: rloomis@morleybuilders.com

Lou, Catherine

Email: cathylou07@gmail.com

Lucio, Mike

Bomel Construction
701 Palomar Airport Road, Ste 270, Carlsbad, CA 92011
Email: mlucio@bomelconstruction.com

Wk (760) 431-6360
Fx (760) 431-6361

Luckow, Andrew

Kleinfelder
Email: murphyincali@yahoo.com

Lysdal, Brett

Email: arsenalsoccer01@hotmail.com

Madrid, Rickey

Morley Construction
2251 San Diego Ave, B251, San Diego, CA 92110
Email: rmadrid@morleybuilders.com

Wk (619) 299-2211
Fx (619) 299-9740

Malik, Yusuf

Email: yusuf75_malik@yahoo.com

Malott, Brandon QC Manager

Coreslab Structures
150 W. Placentia Ave, Perris, CA 92571
Email: bmalott@coreslab.com

Mangusing, Stuart

Email: stuart.1962@hotmail.com

Marquardt, Chris

Max Equipment
Email: cjmarquardt@att.net

Martinez, Adrian

Vulcan
Email: martineza@vmcmail.com

Masters, Brad

Robertson's
200 S. Main Street, Ste 200, Corona, CA 92882
Email: bmasters@rrmca.com

Wk (951) 493-6503
Fx (951) 493-6462

McDonald, Kirk

CalPortland
2025 E. Financial Way, Glendora, CA 91741
Email: kmcdonald@calportland.com

Wk (626) 852-6283
Fx (626) 852-6253

McElroy, Rudolph Eng Tech

MACTEC
Email: mach68@msn.com

McGuire, Quinn

The Euclid Chemical Company
Email: qmcguire@euclidchemical.com

McKnight, Jason Owner
McKnight Inspections
Email: scotchman77@yahoo.com

McKnight, Shannon
McKnight Inspections
Email: shannon@mcknightwelding.com

McRoberts, Bob
CMC
Email: bob.mcroberts@cmc.com Wk (619) 670-9887

Melton, Wesley
Email: wesleymelton@gmail.com

Mendez, Vincent
Email: lv4mendez@yahoo.com

Mertz, Robert
Geocon
Email: mertz@geoconinc.com

Mertz, Robert Director of Field Services
Geocon
6960 Flanders Drive, San Diego, CA 92121
Email: mertz@geoconinc.com Wk (858) 558-6900
Fx (858) 558-6159

Miguel Alcaraz, Rolando Staff Engineer
Testing Engineers-Vertical V
Email: rolando.alcaraz@vertical-v.com

Miles, David
Sundt Construction Inc.
1660 Hotel Circle North, Ste 400, San Diego, CA 92108
Email: drmiles@sundt.com Wk (619) 321-4810
Fx (619) 321-4910

Miller, Jeff
Sundt
2620 South 55th Street, Tempe, AZ 85282
Email: jmiller@sundt.com Wk (480) 293-3118
Fx (480) 293-3069

Miller, Jim
Old Castle Precast
Email: j.miller@oldcastleprecast.com

Miller, Todd Field Technician
Christian Wheeler Engineering Wk (619) 550-1777
3980 Home Avenue, San Diego, CA 92105 Fx (619) 550-1701
Email: tgm1010@sbcglobal.net

Milosch, Joe Construction Inspector
The LKR Group Wk (858) 254-7260
12220 Witt Road, Poway, CA 92064
Email: josephmilosch@yahoo.com

Mitchell, David
Email: aefrtd@hotmail.com

Mix, Shawn Technician
CTE
Email: sktkmix@sbcglobal.net

Moody, Al
Email: msm@cox.net

Morley, Jane Owner
Jane Morley Architect
Email: morley20101@earthlink.net

Motsinger, Robert
Email: ghostriderinc@sbcglobal.net

Mowat, Gregory
Forensic Tile Consulting Wk (858) 484-8118
Fx (858) 484-8302
Email: tile4n6@aol.com

Mueller, Steve
Four Corners Concrete Inc. Wk (760) 737-5470
1277 Pacific Oaks Place, #101, Escondido, CA 92029 Fx (760) 737-5477
Email: sm@fourcornersconcrete.com

Mungovan, Ed
Email: emungo13@yahoo.com

Murena, Pat Southern Cal. Area Manager
Solomon Colors Wk (909) 228-3458
1251 W. Durst Street, Rialto, CA 92376 Fx (909) 874-9444
Email: pmurena@solomoncolors.com

Nagler, Richard

Increte Systems

Email: rnagler@increte.com

Navarro, Cesar

Southern California Soil & Testing
6280 Riverdale Street, San Diego, CA

Wk (619) 280-4321

Email: kane_@hotmail.com

Nelson, Joseph A

US-Concrete - San Diego
2735 Cactus Road, San Diego, CA 92154

Wk (619) 240-8016

Fx (619) 240-8016

Email: jnelson@us-concrete.com

Neyens, Duane Inspector

Email: duane9s@hotmail.com

Nocon, Roberto

Carollo

Email: rnocon@cox.net

Noland, Patrick

Email: pamax1@cox.net

Nunley, Ken

Utelite Corporation
P.O. Box 387, Coalville, UT 84017

Wk (801) 467-2800

Fx (801) 359-8541

Email: ken@utelite.com

Oldham, Rick

Simon Wong Engineering

Email: roldham@simonwongeng.com

Oliver, Jerry QC Tech

Vulcan

10051 Black Mountain Road, San Diego

Email: oliverj@vmcmail.com

Oncina, Manuel President

Manuel Oncina
514 Pennsylvania Avenue, San Diego, CA 92103

Wk (619) 295-4900

Fx (619) 295-4955

Email: manuel@oncinaarc.com

Ornoz, Mel

Email: [bibyo@excite.com](mailto:biby@excite.com)

Osborne, Catherine

Soffolk Roel
3366 Kurtz street, San Diego, CA 92110
Email: cosborne@suffolkroel.com

Wk (619) 520-1264

Palacios, Mario Field Tech

Ninyo & Moore
Email: arqmariopalacios@yahoo.com

Papuga, Matt City Field Engineer

The City of San Diego
9601 Ridgehaven Court, San Diego, CA 92123
Email: mpapuga@sandiego.gov

Fx (858) 492-5098

Patterson, Brett

Email: brettpatterson2@gmail.com

Patton, Richard Engineering Tech

Nova Engineering & Environmental LLC
4373 Viewridge Avenue, Ste B, San Diego, CA 92123
Email: rpatton19@yahoo.com

Wk (858) 679-5364

Pearson, Jack

Hanson
Email: jack.pearson@hanson.com

Perez, Fred

Dimension Construction
Email: fred@dimensionsconstruction.com

Perrine, Keith Sr Sales Representative

TXI
3500 Porsche Way, Ste 150, Ontario, CA 91764
Email: kperrine@txi.com

Wk (949) 836-7980

Picard, Jr., James

Morley Construction
2251 San Diego Ave, B251, San Diego, CA 92110
Email: jjpicard@morleybuilders.com

Wk (619) 299-2211
Fx (619) 299-9740

Picard, Sr, Jim

Morley Construction Company
2251 San Diego Avenue, Ste B251, San Diego, CA 92110
Email: jpPicard@morleybuilders.com

Wk (619) 299-2211
Fx (619) 299-9740

Piceno, Robert

Vulcan Materials
P.O. Box 3098, San Diego, CA 92163
Email: picenor@vmcmail.com

Wk (858) 547-5907

Pike, Mason

Email: los_pikes@yahoo.com

Postulka, George

Email: postulkainspections@cox.net

Powell, Bobby

Email: bpowell70@gmail.com

Puente, Aaron

Email: puentecito1976@yahoo.com

Qualin, John

Email: rqualine@kpsbond.com

Quinn, Ryan

Atlas Construction Supply Inc
4640 Brinell Street, San Diego, CA 92111
Email: ryanquinn@atlasform.com

Wk (858) 277-2100
Fx (858) 277-0585

Rael, Mark Principal

SiteGeo Engineering Services
6010 Portobelo Court, San Diego, CA 92124
Email: sitegeoengineer@aol.com

Wk (858) 344-0927

Railsback, Brad Operations Manager

CMC Rebar
9316 Wheatlands Road, Ste A, Santee, CA 92071
Email: brad.railsback@cmc.com

Wk (619) 258-8262
Fx (619) 258-8267

Reeg, Matt

Email: mreeg321@yahoo.com

Resendiz, Ernesto Field Tech

CSI
Email: resendize40@yahoo.com

Reyes, Mauricio Quality Control

Robertson's Ready Mix
1952 Manzana Way, San Diego, CA 92139
Email: mauricior@rrmca.com

Reynolds, Joseph

Email: stacyr12345@aol.com

Rios, David

Old Castle Precast

Email: david.rios@oldcastleprecast.com

Robertson, Larry Special Inspector

Southern California Soil & Testing

6280 Riverdale Street, San Diego, CA

Email: ler99@cox.net

Wk (619) 280-4321

Rogers, Jeffrey

Southern California Soil & Testing

6280 Riverdale Street, San Diego, CA

Wk (619) 280-4321

Rollins, Gina

United Rentals

1960 W. Mission Road, Escondido, CA 92029

Email: grollins@ur.com

Wk (760) 644-9064

Fx (866) 718-5638

Romberg, Eric

JB Consulting

Email: jbconsulting14@yahoo.com

Romero, Rogelio

Kleinfelder

Email: rromero@kleinfelder.com

Rose, Brandon

Email: nspectr_rose@yahoo.com

Rosete, Rafael

Email: rarosete@hotmail.com

Rossman, John

Email: jdrfire@yahoo.com

Rubio, Fernando

Email: fernandorubio_@hotmail.com

Ryan, Galit

DYK Inc. Wk (619) 440-8181

P.O. Box 696, El Cajon, CA 92022-0696

Email: galit@dyk.com

Fx (619) 440-8653

Saenz, Tim Technical Services Manager
Vulcan Materials
16009 Foothill Rd., Irwindale, CA 91706
Email: SaenzT@VMCMAIL.com

Wk (626) 856-6190

Sagert, Jeff

Samuels, Kathryn
Email: kathryn.k.samuels@gmail.com

Sancha, Noel Sr. Material Tech
MACTEC
9177 Sky Park Court, San Diego, CA 92123
Email: nesancha@mactec.com

Sanchez Jr., Adrian
Vulcan
Email: sancheza@vmcmail.com

Sanders, Charles
Port of San Diego
Email: csanders@portofsandiego.org

Sandoval, Ignacio
Email: ignaciosan1@hotmail.com

Sangalli, Mike
Webcor
Email: msangalli@webcor.com

Schafer, Gerald
CIS
Email: gschafer@aboutcis.com

Schafer, Gordon
CTE
Email: goschafer@aboutcis.com

Scheuer, John
Turner Construction
Email: jscheuer@ecco.com

Schickler, Patrick Inpsector
Email: pschickler@yahoo.com

Schmidt, Mike Owner
CD&I
Email: mjs17@verizon.net

Schultz, Michael President
MJS Group
6952 Temple Terrace, San Diego, CA 92119
Email: mschultz100@gmail.com

Wk (619) 717-1628

Scott, Tony Lead Quality Control
CTE
Email: tony@cte-inc.net

Scott, William Lead Quality Control Engineer
Hensel Phelps
Email: wscott@henselphelps.com

Sebastian, David
Email: tunacranker@yahoo.com

Sehlhorst, Alan
Team C construction
1272 Greenfield Drive, El Cajon, CA 92021

Wk (619) 579-6572
Fx (619) 579-6592

Serra, Michael VP/Marketing Technical Services
Pacific Aggregates
28251 Lake Street, Lake Elsinore, CA 92530-1609
Email: mserra@pacificaggregates.com

Wk (951) 245-2460
Fx (951) 471-1783

Shelby, John
Pacific Southwest Structures
8140 Commercial Street, La Mesa, CA 91942
Email: jshelby@pswsi.com

Shirley, John Inspector
Christian Wheeler Engineering
3890 Home Avenue, San Diego, CA 92105

Simms, Darrin QC Manager
Email: dcsimms@msn.com

Smith, Bruce
SANDAG
411 B Street, San Diego, CA
Email: bsm@sandag.org

Wk (619) 966-1907

Smith, Jeffrey
SANDAG
Email: jeffsmith39@gmail.com

Valadez Jr, Frank

Hamann Construction
1000 Pioneer Way, El Cajon, CA 92020
Email: fgjjvaladez@cox.net

Wk (619) 440-7420

Valdez, Steve

VanBraam Morris, Bryant Field Technician
Twining Labs
Email: bvanbraam@gmail.com

Vantran, Michael

Email: mvhammer69@aol.com

Vasconcellos, Mike

Email: mikevasconcellos@yahoo.com

Vaughn, Pam Concrete Tech

G-force
8788 Balboa Ave, San Diego, CA 92123
Email: socalvaughns@yahoo.com

Wk (619) 664-8031

Vawser, Scott

Email: scottv83@hotmail.com

Venolia, Steve

Associated Raedy Mix

Wk (619) 840-4549
Fx (760) 789-8361

Email: svenolia@cox.net

Vildibill, Bob

Director of Business Relations Professional Servic
Email: gvildibill@ca.rr.com

Vipatapat, Jackrin

UCSD
Email: jackrinjames@gmail.com

Wk (858) 538-2940

Viramontes, Fidencio

Email: fideviramonte@yahoo.com

Vojtakovic, Darin

Nova
Email: dvojtakovic@usanova.com

Wabbel, Jared

Email: jwabbel@yahoo.com

Walker, Tobey

Email: ldoe16823@aol.com

Walter, Alvin Inspector

CTE

Email: awalter@pacbell.net

Warren, Ben

MTGL

Email: benjen4@cox.net

Weintraub, David Owner

Inland/Coastal Properties

Email: mweintra@san.rr.com

Welch, Donald

Email: dwelch5@gmail.com

Wells, Brad General Manager

Border Construction Specialties
5601 Eastgate Drive, San Diego, CA 92121
Email: bwells@bordercorp.com

Wk (858) 558-8300
Fx (858) 558-8383

Wheeler, Mike Secretary CEO

Christian Wheeler Engineering
3980 Home Avenue, San Diego, CA 92105
Email: mwheeler@christianwheeler.com

Wk (619) 550-1714
Fx (619) 550-1701

Williams, Michael CEO

Frontier Concrete
P.O. Box 3800, Vista, CA 92085
Email: mike@frontierconcrete.net

Wk (760) 724-4483
Fx (760) 724-6604

Williams, Randy Foundation Contractor

Frontier Concrete
P.O. Box 3800, Vista, CA 92085
Email: willshak@earthlink.net

Wk (760) 724-4483
Fx (760) 724-6604

Williams, Richard

Email: williamsironwork@hotmail.com

Wilson, David

MACTEC
9177 Sky Park Court, San Diego, CA 92123
Email: dwilson@mactec.com

Wk (858) 278-3600
Fx (858) 278-5300

Wimmer, Ray Project Inspector

RC Inspection
Email: rcinspect@msn.com

Winans, Mark

MACTEC
9177 Sky Park Court, San Diego, CA 92123
Email: mrwinans@mactec.com

Wk (858) 278-3600
Fx (858) 278-5300

Witherell, John P

Email: geojohn@hotmail.com

Witowski, William

Email: isurfob@hotmail.com

Wood, Kyle

SDSU
Email: wood.kyle13@gmail.com

Woodard, Miles

Southern California Soil & Testing
6280 Riverdale Street, San Diego, CA
Email: mwsportsmansdream@yahoo.com

Wk (619) 280-4321

Wooley, David

MACTEC
9177 Sky Park Court, San Diego, CA 92123
Email: wooleycd@cox.net

Wk (858) 278-3600
Fx (858) 278-5300

Wynn, Steve

Email: steve-r-wynn@hotmail.com

Ylinen, John LEED Accredited Pro Vice President

Sundt
2620 South 55th Street, Tempe, AZ 85282
Email: jmylinen@sundt.com

Wk (480) 293-3118
Fx (480) 293-3069

Zamarron, Adan

Email: adanz91@yahoo.com

Zamora, Antonio

Email: antzam87@hotmail.com

Zeffiro, Tom Special Inspector

MACTEC

9177 Sky Park Court, San Diego, CA 92123

Email: tjzeff@hotmail.com

Wk (858) 278-3600

Fx (858) 278-5300

Zicovich, Tracy

Vulcan Materials

P.O. Box 3098, San Diego, CA 92163

Email: zicovicht@vmcmail.com

Wk (619) 298-0551

Zmudka, Jim General Manager

Olympic Panel Products

204 E Railroad Avenue, Shelton, WA 98584

Email: jzmudka@olypanel.com

AMERICAN CONCRETE INSTITUTE

SOUTHERN CALIFORNIA CHAPTER

Business Listing

Allana+Buick+Bers
Norbert Lohse

Apex Advertising
Frank Gerberding

ARB Structures, Inc.
Mark Thurman

Associated Raedy Mix
Steve Venolia

Atlas Construction Supply Inc
Ryan Quinn

AV Builder Corp
Russell Levitan

BASF Construction Chemicals
Brian Adams
Paul Heis

Bechtel Inspection Services
Craig Bechtel

Bomel Construction
Mike Lucio

Boral Material Technologies
Mitchell Smith

Border Construction Specialties
Brad Wells

Boyd Fasteners
Ron Boyd

BTC Labs
Edward Cleveland

California Portland Cement
Gary Kirk
Kirk McDonald

Carollo
Roberto Nocon

Caya Consulting Services
Heather Caya

CD&I
Mike Schmidt

Christian Wheeler Engineering
Jamie Booker
Steve Campbell
Charlie Carter
Tim Collett
Steve Karius
Todd Miller
John Shirley
Mike Wheeler

CIS
Stephen Eckert
Gerald Schafer

City of Escondido
Kevin Brickley

City Of San Diego
Raimundo Cerezo

CMC Rebar
Bob McRoberts
Brad Railsback

CNCA California Nevada Cement Association
David Akers

Coffman Specialties
John Inlow

Construction Testing & Engineering, Inc.
Steve Green
Mike Sulham

Coreslab Structures
Brandon Malott

CSI
Ernesto Resendiz

CTE

Dirk Dehoop
Matt Lattimore
Shawn Mix
Gordon Schafer
Tony Scott
Alvin Walter

David Colors

Galen Thurner

Deputy One Inspection

Chad Brummel

Dimensions Construction

Mateo Ferreir
Fred Perez

Director of Business Relations**Professional Service**

Bob Vildibill

DYK

Shelly Anderson.
Galit Ryan

Environment

Crystal Howard

Fitzgerald Formliners

Josh Hernandez

Forensic Tile Consulting

Gregory Mowat

Four Corners Concrete Inc.

Steve Mueller

Frontier Concrete

Mike Williams
Randy Williams

Geocon

Robert Mertz

Gforce

Pam Vaughn

Grace

Bob Ashby

Group Delta Consultants

Thomas Estes
Gary Harris

Hamann Companies

Paul Giese

Hamann Construction

Frank Valadez Jr

Hanson

Charlie Gregg
Phil Harris
Jack Pearson

Harris Associates

Jim Abbott

Hensel Phelps

William Scott

Hope Engineering

James Amundson

Hunt Companies

David Bennett

Hycrete

Jim Hill

IEC

Patrick Herman

Increte Systems

Richard Nagler

Inland/Coastal Properties

David Weintraub

Integrity Concrete

Ryan Doffing

Jane Morley Architect

Jane Morley

JB Consulting

Eric Romberg

JB Lumber

Jeff Stoll

Kiewit

Ivan Tapia

Kleinfelder

James Allen

Bob Frazer

David Kisic

Andrew Luckow

Rogelio Romero

KPS Surety Bond

Michael Strahan

Largo Concrete

Mike Core

Lentulo Contractors

George Lentulo

Life Deck

Larin Felker

MACTEC

Harvey Alwaque

Ron Brasel

Roy Bucher

Liz Collins

Lisa Guertin

Gary Hirt

Rudolph McElroy

Noel Sancha

Micah Smith

David Wilson

Mark Winans

David Wooley

Tom Zeffiro

Manuel Oncina Architect

Manuel Oncina

Martin & Libby

Donald Libby

Max Equipment

Chris Marquardt

McKnight Inspections

Jason McKnight

Shannon McKnight

Mitsubishi Cement Corp

Alex Brankovic

MJS Group

Michael Schultz

Morley Construction

Mike Archibald

Robert Bray

Scott Bush

Sean Fleming

Mark Larsen

Rickey Madrid

Roger Loomis

James Picard, Jr.

Jim Picard, Sr

Casey Teng

Jim Tkach

MTGL

Dino Battaglia

Paulo Carag

Guino Greiner III

Ben Warren

Ninyo & Moore

Mario Palacios

Nova Engineering & Environmental LLC

Guillermo Baez

Orlando Gonzalez

Glenn Harris

Dustin Jasper

Cristian Liang

Richard Patton

Darin Vojtakovic

Old Castle Precast

Jim Miller
David Rios

Olympic Panel Products

Hal Studer
Jim Zmudka

Pacific Aggregates

Michael Serra

Pacific Southwest Structures

Tim Boyd
Dan Fitzgerald
John Shelby
Len Tyler

Port of San Diego

Kurt Brickley
Sherman Cotham
Charles Sanders

Prestige Concrete

Jerry Green

Propex Concrete Systems

Jeff Ferris

Quality Control Southwest

Matt Bovee

RC Inspection

Ray Wimmer

Robertson's Ready Mix

Brad Masters
Mauricio Reyes

Rocky Coast Framers

Henry Gonzales

Roel Construction

Ben Briggs

Rudolph & Sletten

Scott Stoddard

SANDAG

Bruce Smith
Jeffrey Smith

Scholefield Construction Attorneys

Joe Kuykendall

SDSU

Kyle Wood

Sika Corporation

Adriano Bortolin

Simon Wong Engineering

Colby Cushing
Randy Lewis
Rick Oldham

SiteGeo Engineering Services

Mark Rael

Soffolk Roel

Catherine Osborne

Solomon Colors

Pat Murena

Southern California Soil & Testing

Clint Adkins
Steve Arce
John, Jr Bahno
Kevin Balingier
Tom Contasti
Scott Goldman
Cesar Navarro
Tony Stewart
Larry Robertson
Jeffrey Rogers

Standard Concrete Products

Sam La Fata

Stego Industries LLC

Paul George

Structural Preservation Systems

Sean Turner

Structural Technology Consultants

Duane Gee

Sundt Construction Inc.

Ron Eldridge
Brandon Fonseca
Spencer Draper
Mark Krenn
David Miles
Jeff Miller
John Ylinen

Sunstate Equipment

Jim Burk

Superior Ready Mix

Chris Brouwer
Paul Brouwer
Matthew Eyer

Surfacing Solutions

Shawn Halverson

T.B. Penick & Sons

Raquel Castanon
Byron Klemaske
Chris Klemaske
Frank Klemaske

Team C Construction

David Clarke
Glenn Clarke

Testing Engineers

Ramon Acero

Testing Engineers-Vertical V

Rolando Miguel Alcaraz

The City of San Diego

Matt Papuga

The Euclid Chemical Company

Sonny Johnson
Pancho Koneval
Roky Kriskovic
Quinn McGuire

The LKR Group

Joe Milosch

Thunder Jones Contracting Group

Brian Jones

TSI

Octavio Bautista

Turner Construction

John Scheuer

Twining Labs

Bryant VanBraam Morris
TXI
Clint Chapman
Jay Devries
Keith Perrine

TXI Riverside Cement

Don Gilbert

UCSD

Leonard Kim
Jeniene Knight
Jackrin Vipatapat
Dan Huff

United Rentals

Gina Rollins

US Concrete Precast Group

Shane Burke
Angelo Kolokithas
Joseph Nelson

Utelite Corporation

Ken Nunley

**Vertical V Testing & Engineering
Inspection**

Raymundo Cecena


Vinje & Middleton Eng
Terry DuTemple

Vulcan Materials

Larry Carlson
Marco Estudillo
Earl "Jack" Guenther
Adrian Martinez
Jerry Oliver
Robert Piceno
Adrian Sanchez Jr.
Tim Saenz
Derrick Teachout
Tracy Zicovich

Webcor
Todd Lamberty
Mike Sangalli

West Coast Geotechnical
Neil Boren



Geotechnical Stabilization, Inc.
Amer R. Al-Alusi, P.E.
President

Chemical Grouting Compaction Grouting
PressGrout Piles Lense Grouting

1558 Sterling Court • Escondido, CA 92029-1208
760/489-6696 • FAX 760/489-6697



Vicki Martin
Account Manager
760-505-2141 • Fax: 858-571-3486
Email: vmartin@mail.thebluebook.com

Contractors Register, Inc.
P.O. Box 500
Jefferson Valley, NY 10535-0500
800-431-2584 Ext. 586
Fax: 914-245-0932

Regional Office:
430 N Vineyard Ave., Suite 302
Ontario, CA 91764
909-937-1234
Fax: 909-937-1238

Duane J. Gee, P.E.
Senior Engineer

Structural Technology Consultants



7827 Convoy Court, Suite 406
San Diego, CA 92111
858.278.2400 x103 | 800.681.8106
Fax 858.278.2424
duane@stcsd.com

Construction

ADRIANO "A.B." BORTOLIN
Senior Sales Engineer



Sika Corporation
201 Polito Avenue
Lyndhurst, NJ 07071
San Diego District Office:
3010 Azahar Street
Carlsbad, CA 92009

Tel: 760 632 1637
Fax: 760 632 9149
Mobile: 619 871 7452
email: bortolin.adriano@sika-corp.com

BASF
The Chemical Company

BASF Construction Chemicals
611 K Street
332
San Diego, CA 92101

Fax: 619-269-4319
Cell: 916-717-7381
brian.adams@basf.com
www.basf-admixtures.com

Brian Adams
Senior Sales Representative
Admixture Systems

Master Builders Admixture Solutors

Mike Archibald VICE PRESIDENT - REGIONAL MANAGER

MORLEY
San Diego
Construction Company

2251 San Diego Avenue, #B251
San Diego, California 92110
telephone 619/299-2211
marchibald@morleybuilders.com
fax 619/299-9740 LICENSE 166461

Over 20 Locations
Throughout California
To Serve You

Steve Venolia
Sales Representative
SVenolia@cox.net

Associated

READY MIXED CONCRETE INC.

SAN DIEGO DISPATCH
619•661-7555
FAX 619•661-7559

SAN DIEGO SALES
Cell 619•840-4549
Office 760•789-1662

CORPORATE OFFICE
949•253-2800 / 800•575-5799



CALPORTLAND

MARCUS J. EMINHIZER
CONTRACTOR & DISTRICT SALES MANAGER
CEMENT GROUP

CalPortland Company
2025 E. Financial Way
Glendora, CA 91741

Dir: (626) 691-2290
Cell: (626) 862-1521
Fax: (626) 852-6253
E-mail: meminhizer@calportland.com



CALPORTLAND

KIRK L. McDONALD
VICE PRESIDENT - TECHNICAL SERVICES
CEMENT GROUP

CalPortland Company
2025 E. Financial Way
Glendora, CA 91741

DIR: (626) 852-6283
CELL: (818) 399-2713
FAX: (626) 852-6253
E-mail: krmcdonald@calportland.com



The Euclid Chemical Company

Quinn McGuire
Southwest Regional Manager

1304 Toulon Street
Oceanside, CA 92056
Cell: 760-994-9445
Fax: 760-295-2170
E-Mail: qmcguire@euclidchemical.com
www.euclidchemical.com

An **APM** Company

ISO 9001: 2000 Certified UL File #A3129



CHRISTIAN WHEELER
ENGINEERING

Michael Wheeler
PRINCIPAL ENGINEER

4925 Mercury Street • San Diego, CA 92111
858-496-9760 • FAX 858-496-9758
mwheeler@christianwheeler.com



CALPORTLAND

GARY KIRK
MANAGER OF TECHNICAL SERVICES
CEMENT GROUP - SOUTHWEST REGION

CalPortland Company
2025 E. Financial Way
Glendora, CA 91741

TEL: (800) 272-9119
CELL: (626) 862-4664
FAX: (626) 852-6253
E-mail: gkirk@calportland.com



Paul George CSI
Southern California
Regional Manager

216 Avenida Fabricante 101 • San Clemente, CA 92672
Office: (949) 257-4100 • Fax: (949) 493-5165 • Cell: (949) 241-6563
Toll Free: (877) GO-4-STEGO (464-7834)
E-mail: paulgeorge@stegoindustries.com • www.stegoindustries.com

NEWSLETTER ADVERTISING

Business Card \$75.00 a year
Quarter Page \$100.00 a month
Half Page \$ 150.00 a month
Full Page \$200.00 a month

No Charge for employment wanted
and member news items.

Please send your advertisements to:
ACI, San Diego, concreteaci@cox.net

Phone: 619.579.1940
FAX: 619.258.5839



P.O. Box 713110
Santee, CA 92072

619/579-1940
Fax 619/258-5839

